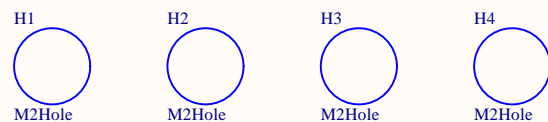
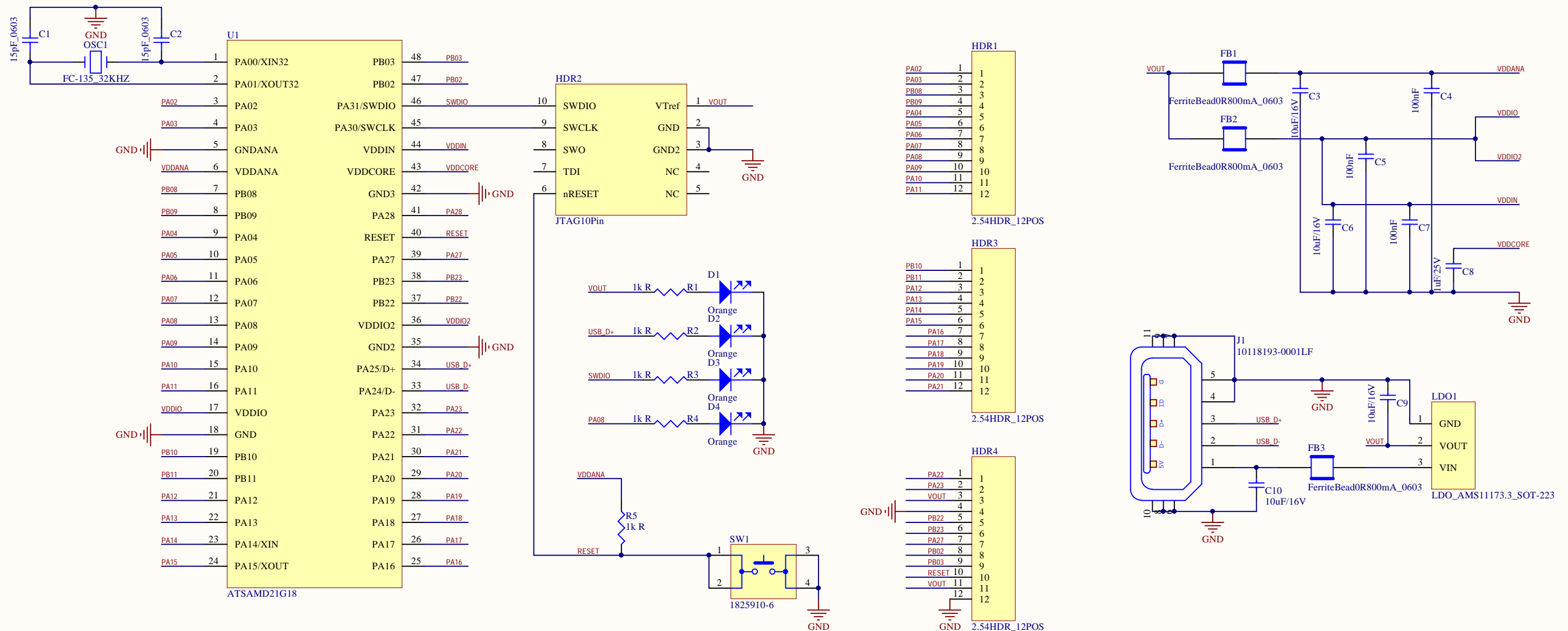


Minimum ATSAM21G18A System Arduino/Cortex M0



Title		
Size	Number	Revision
A3		
Date:	12/19/2018	Sheet of
File:	E:\Altium\...\BasicSAM21.SchDoc	Drawn By: