

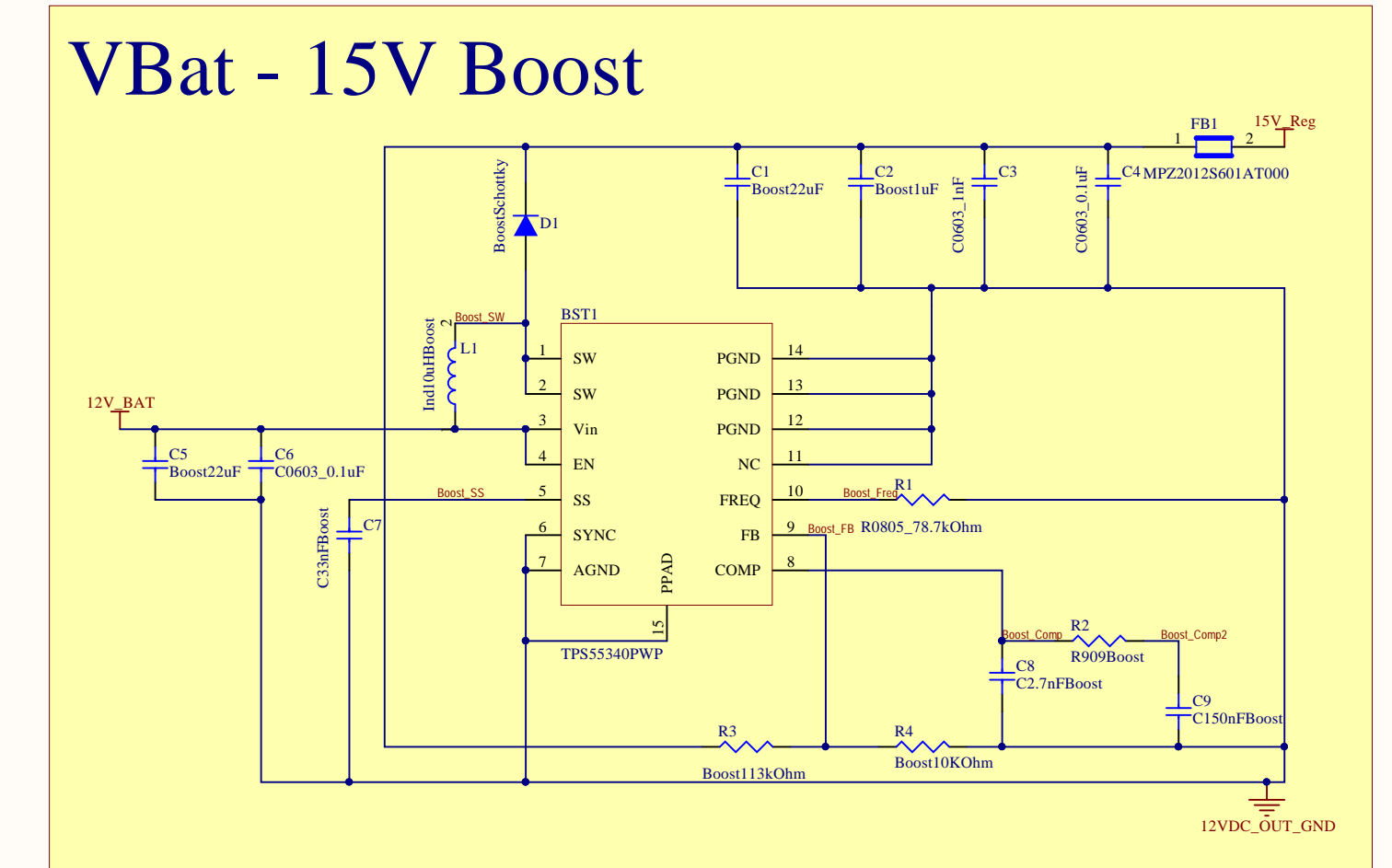
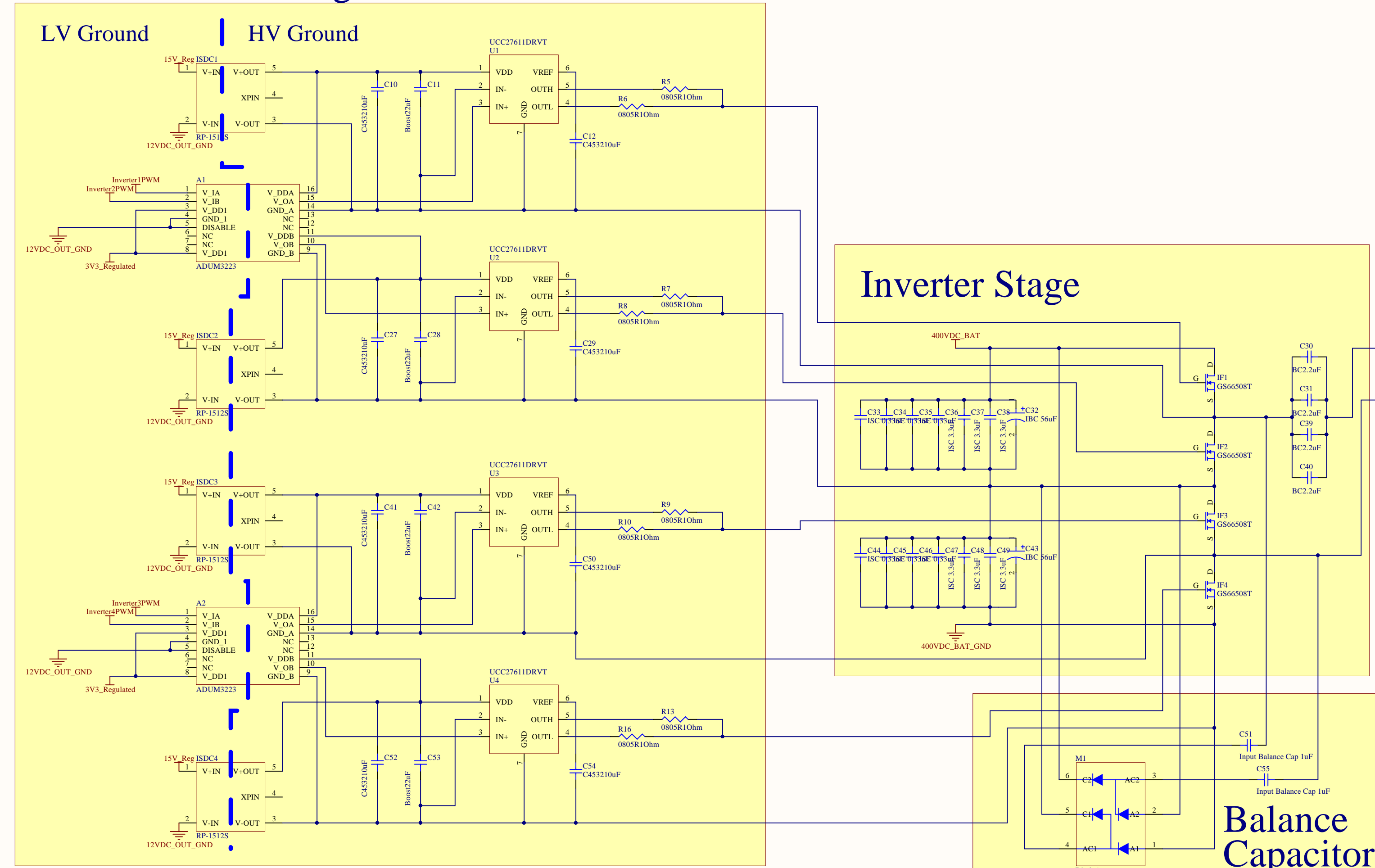
Control Signal
 15VDC
 Low Voltage (12VDC)
 High Voltage

Title		
Size	Number	Revision
Letter		
Date:	12/6/2018	Sheet of
File:	E:\Altium\...\BlockDiagram.SchDoc	Drawn By:

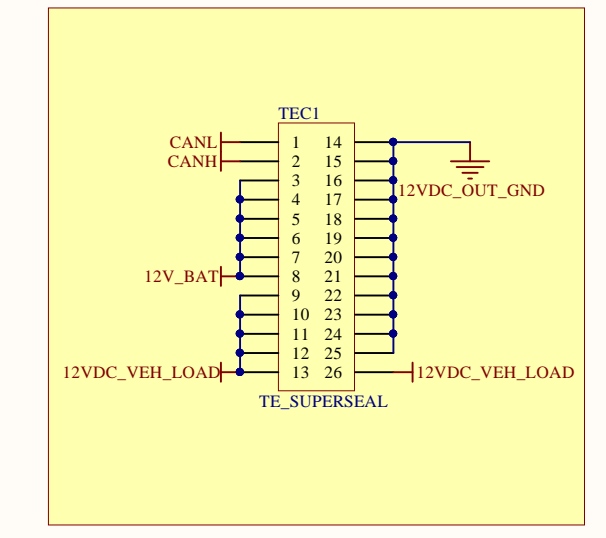
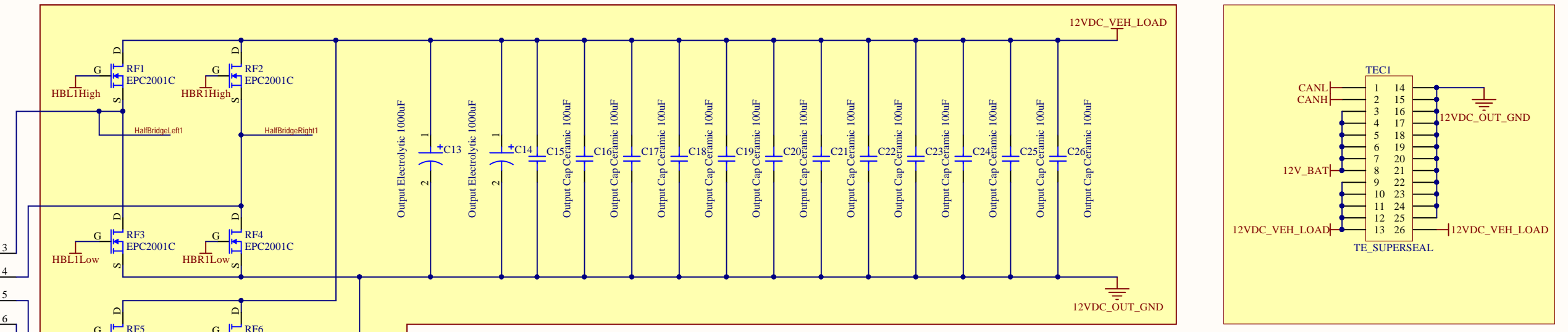
High Voltage DC/DC Converter ARG19

By Kowin Shi (kss223)

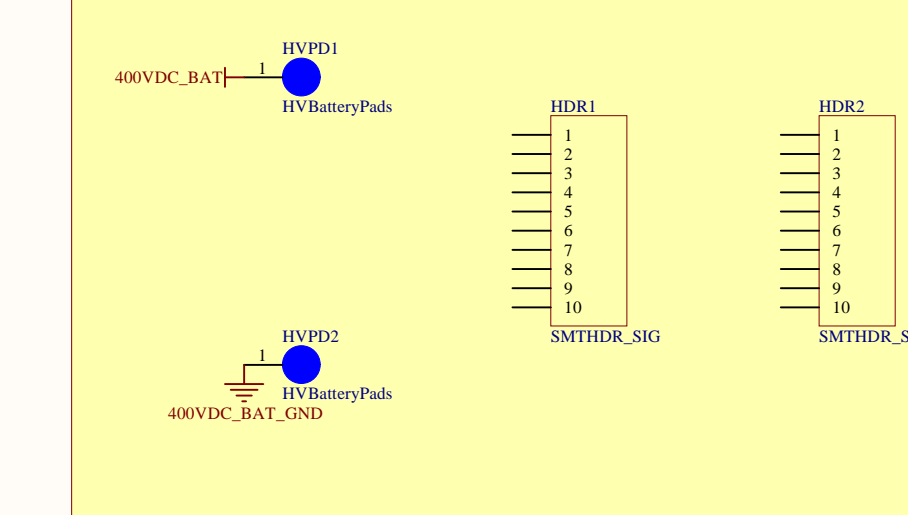
Inverter GaN Driving Circuit



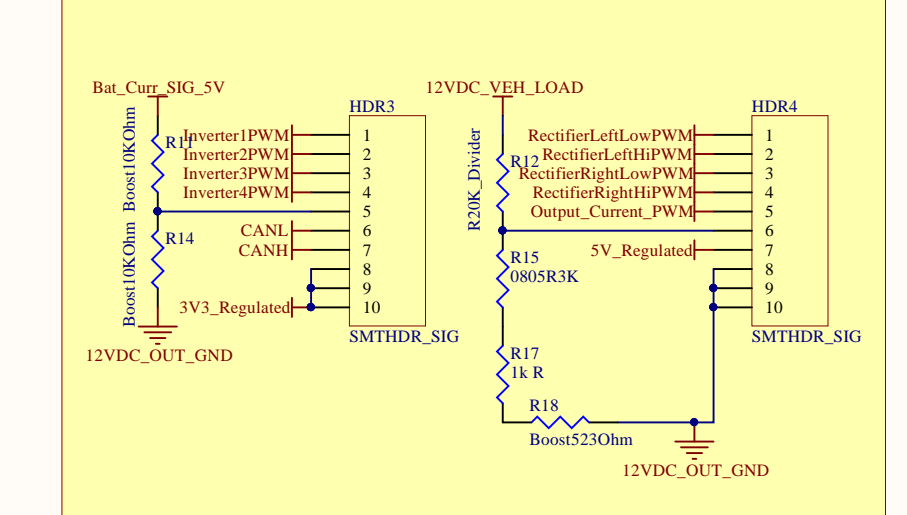
Rectifying Stage TE 26Pin



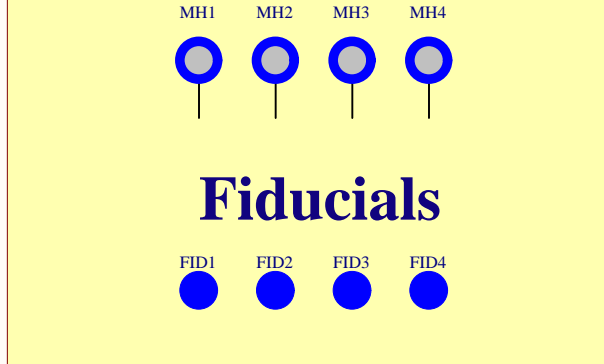
Leadout Pads/Headers



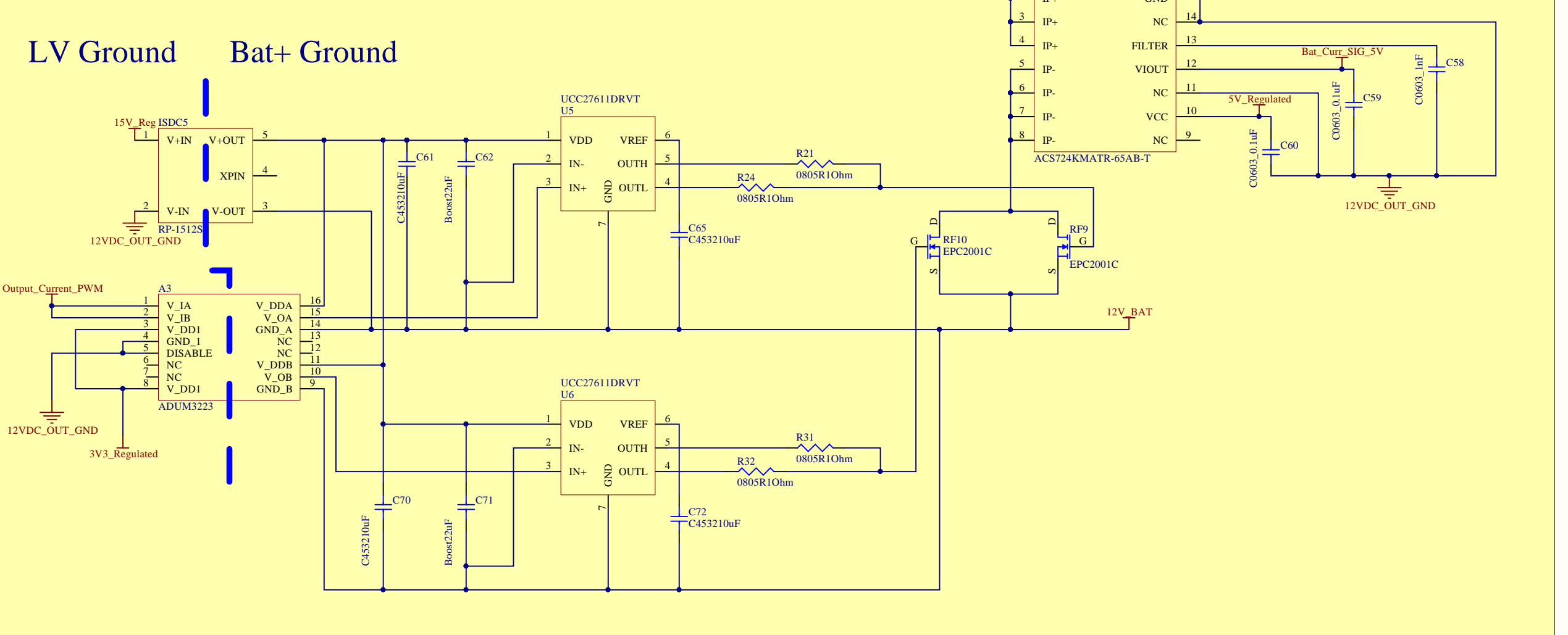
Control Board



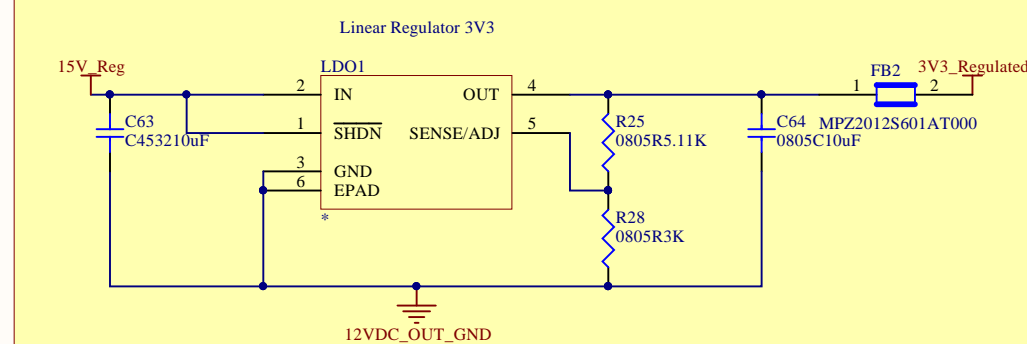
Mounting Holes



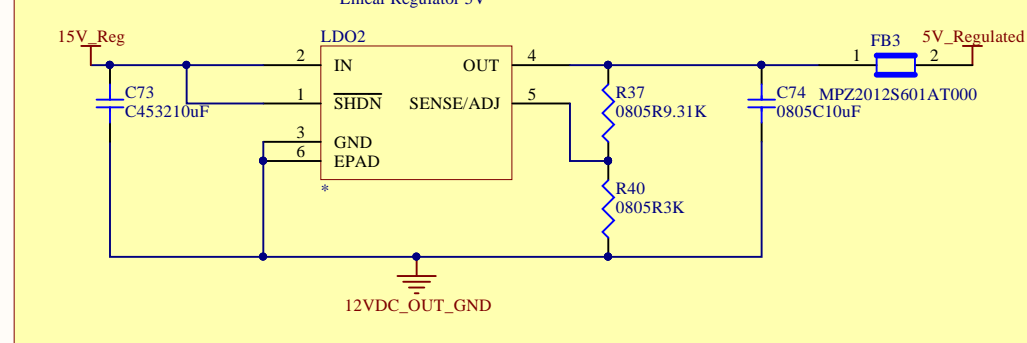
Output/Battery Current Control



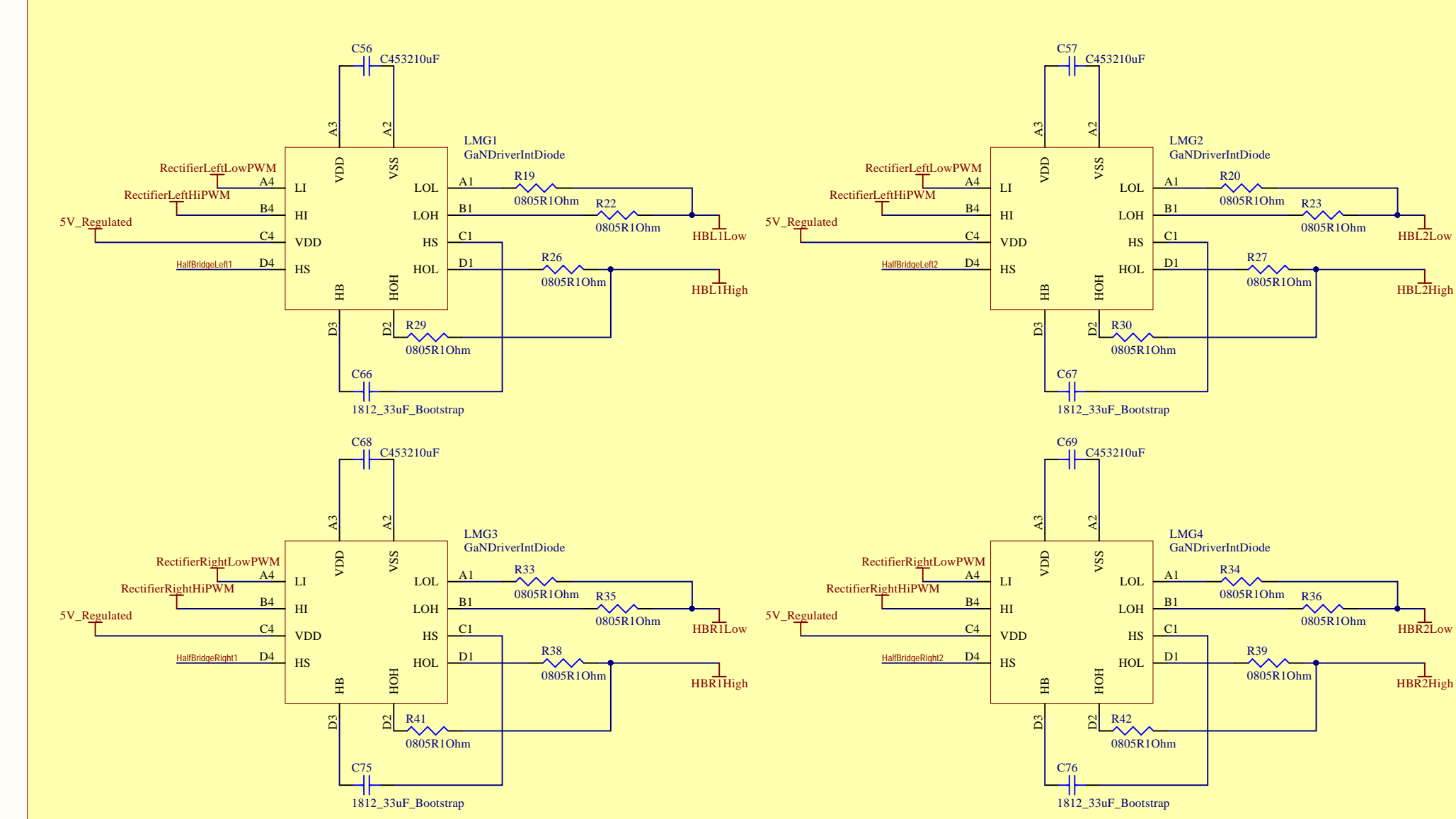
3V3 Buck



5V Buck



Rectifier GaN Driving Circuit

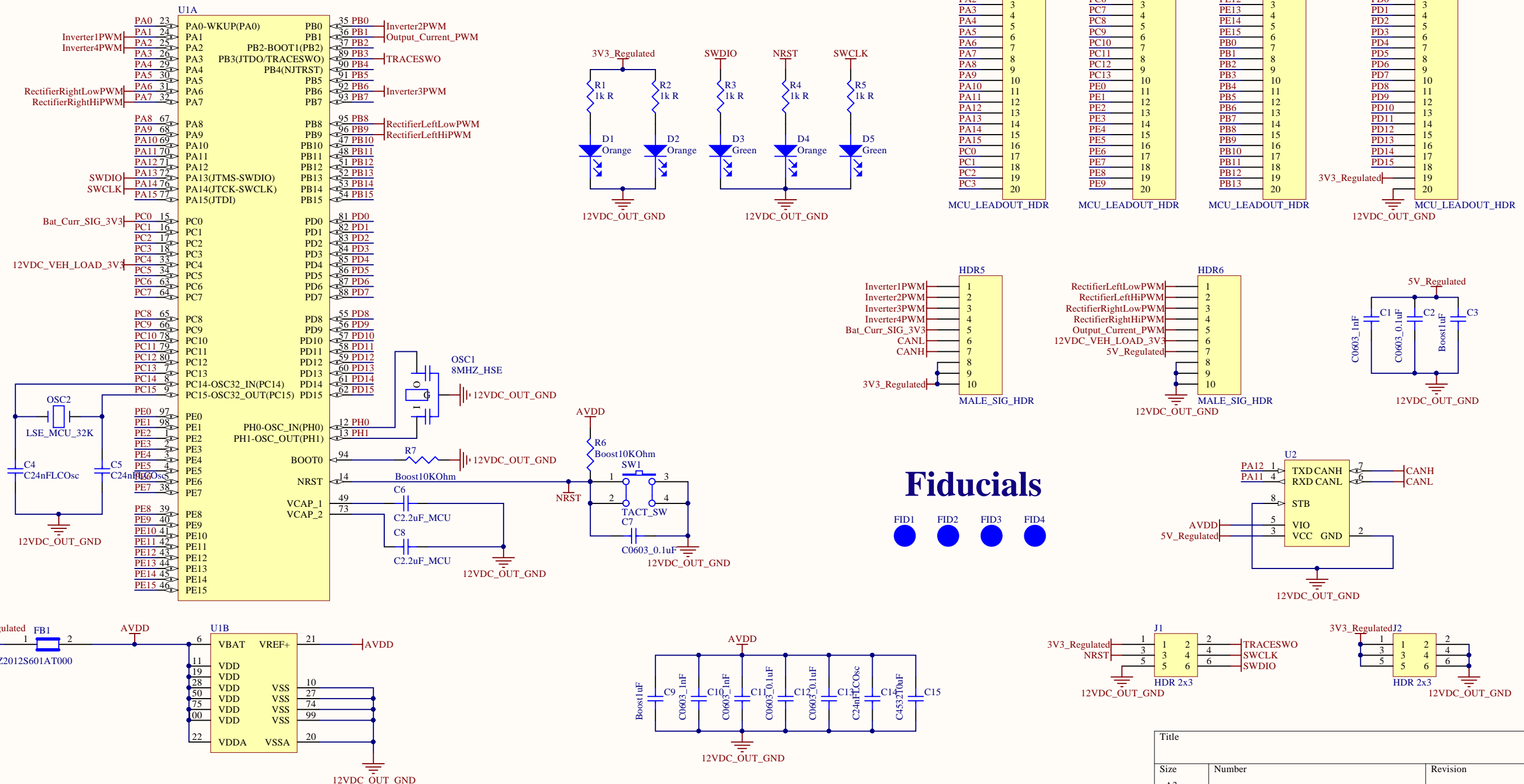


Title		
Size	Number	Revision
A1	126-2018	Sheet of
Date:	E:\Altimu...MainSchematic_SchDoc	Drawn By:

High Voltage DC/DC Converter ARG19 Control Board

Inverter1: TIM2, Inverter2: TIM3, Inverter 3: TIM4, Inverter 4: TIM5

Rectifier: LeftLow: TIM10, LeftHi: TIM11, RightLow: TIM13, RightHi: TIM14



Fiducials



Title		
Size	Number	Revision
A3		
Date:	12/6/2018	Sheet of
File:	E:\Altium\...\STM32F407.SchDoc	Drawn By: